



ENGINE DRIVEN WELDER

eWELD 150

The images are for reference

WELDING PROCESS



SMAW Shielded Metal Arc welding (STICK)



Gas Tungsten Arc Welding (TIG)



FEATURES

- Battery powered welder
- 52 Ah lithium battery (LiFePO4)
- DC arc welding machine
- High frequency control of the welding current
- Excellent performance for all types of electrode (STICK)
- Lift Arc type TIG
- Digital ammeter with welding current pre-setting
- Welding minutes autonomy display
- Battery charge status display
- User-friendly battery replacement
- Complies with CE directives

DEFINITIONS

SMAW: Coated electrode welding is an arc welding with protected metal.

GMAW: welding is an arc process with metal under gas protection.

FCAW (FLUX CORED): The process with cored wires is very similar to MIG / MAG welding. Continuous wire is not full but consists in a metal strip that wraps a powders core (flow).

GTAW: is a welding process that uses a tungsten electrode that cannot melt.

GENERAL SPECIFICATIONS

Welding autonomy 100A /24V	70 min.
Electrode consumption per charge	Øxl (mm) 2,5 x 300 @ 55A : n° 98 Øxl (mm) 3,2 x 350 @ 75A : n° 64 Øxl (mm) 4 x 450 @ 150A : n° 24
IP Protection Rating	IP 23M
Operating temperature	- 30°C / + 60 °C

D.C. WELDING

CONSTANT CURRENT

Current range	150A / 26V (Stick) 150A / 16V (Tig)
Current regulation range	20A / 20,8V-150A / 26V (Stick) 20A / 10,8V-150A / 16V (Tig)
Type of regulation	continue
Duty cycle	150A / 26V @ 100% (Stick) 150A / 16V @ 100% (Tig)
Open circuit voltage	86 Vcc (Batt. 100%) - 59 Vcc (Batt. 20%)
Reduced open-circuit voltage with VRD	/
Arc force control	No

BATTERY

Type	LiFePO4
Nominal Voltage	74 Vdc
Max. Voltage (full charge)	86 Vdc
Min. Voltage (charge at 20%)	59 Vdc
Capacity	52 Ah / 3,8 kWh
Max. Power	5,5 kW
Max. discharge current	75A
Integrated BMS (Battery Management System)	Yes
Protections	Shortcircuit - Thermal protection
Communication ports	CAN BUS
Charge cycles	3000 (for full charges)

CONTROL PANEL

- Power key switch
- Battery charge status indicator
- Welding current digital ammeter
- Welding operating time display
- Welding control adjustment knob
- Welding sockets
- Stick-Tig welding process selector



WEIGHT - DIMENSIONS ACCESSORIES

EWELD 150

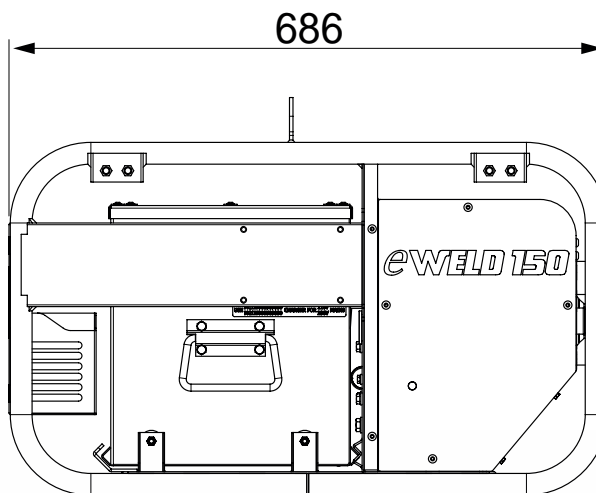
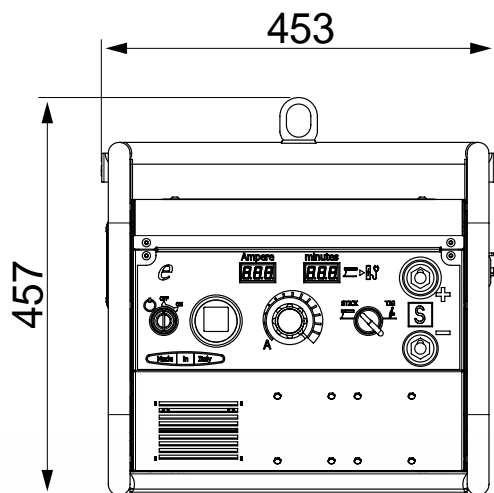


DRY WEIGHT:
• 66 Kg

The welding machine pictured may include optional accessories.



DIMENSION PICTURE (mm)



⊕ OPTIONS ON REQUEST

- External battery charger: 2,5 kW/230V single-phase /50-60 Hz (output 30A/84V)
- External battery charger: 2,5 kW/120V single-phase /50-60 Hz (output 30A/84V)
- Welding cables K185 (4,5+3 m, 35 mm²)
- Welding cables K190 (10+8 m, 35 mm²)
- Welding cables K200 (20+15 m, 35 mm²)
- Welding kit (mask gloves, etc.)
- Parallel welding cables K2x150 25+35 35 mm²
- Trolley CTM eWELD
- Manual trolley (n.4 handles) TRM eWELD

☀ AVAILABLE VERSIONS

C1W00050 STANDARD

GENERAL INFORMATION

COMPLIANCE GENERATING SETS WITH EC DIRECTIVES AND STANDARDS

- 2014/35 / UE (Low Voltage Directive)
- 2014/30 / UE (Electromagnetic Compatibility Directive)
- IEC-EN 60974-1 Arc welding equipment - Welding power sources
- IEC-EN 60974-10 Arc welding equipment - Electromagnetic compatibility (EMC) requirements



ISO 9001:2015 - Cert. 0192

WARRANTY

All devices are covered by the manufacturer's warranty.

Non-contractual document. Specification subject to change without notice.

© MOSA - Viale Europa, 59 - 20090 Cusago (Milano) - Italy - phone +39-0290352.1 - fax + 39-0290390466 E-mail: info@mosa.it Web site: www.mosa.it

